



EMERGENCY EYE AND BODY SHOWER

TECHNICAL INFORMATION

In compliance with: UNI9608 - UNI10271 - DIN 12899 part. 2 - ANSI Z 358.1/2004 - EN 15154/1

Materials and construction methods, grant an appropriate flow-rate of erogated water, as also a very good quality of the water, and a very good decontamination and cleaning of hte body, and of the eyes. alle the models are build using Steel, Brass, ABS, and the external finishing are epoxy powder coating, chemical nikel plating, and plastic, this just for grant a long life to the products also in very aggressive places. Eye showers have a flow rate total of 14 liters/minute (minimun required is 6 liters/minute), and the emergency showers have a flow rate of more than 120 liters/minute (minimun required is 100 liters/minute).

Emergency showers must be installed at a maximum distance of 7-8 meters from the access point, and fair away from electricity sources. The emergency showers must be installed at an height between 2100 mm and 2300 mm from the floor (UNI norm 9608), and the eye showers must be installed at an height between 800 mm and 1150 mm from the floor (UNI norm 9608).

Water inlet temperature have to be between 15° and 35°, ad must be used in the beginning of the line a cleaner filter (UNI norm 9608).

APPLICATION

Vertical mounting

DETAILS

Test pressure: 9 Bars/air
 Max working pressure: 10 Bars
 Flow rate limited to 50 L/min

SURFACE PROTECTION

Epoxy painted/Nichel plating

MATERIALS

Brass
 ABS
 Stainless steel

HEADWORK SEALING

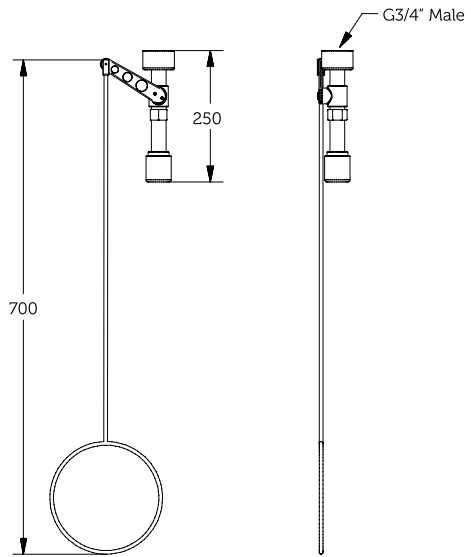
PTFE temperature working range: 0-70°

CONNECTION TAP

G3/4" male

STANDARD AND NORMS

DIN 4844-2-D and BGV A8 sign for body shower
 DIN EN 15154-1:2006
 DIN 12899-3:2009
 ANSI Z358.1-2004



WARRANTY 2 YEARS

APPLICATION

Vertical mounting

DETAILS

Test pressure: 9 Bars/air
 Max working pressure: 10 Bars
 Flow rate limited to 50 L/min

SURFACE PROTECTION

Epoxy painted/Nichel plating

MATERIALS

Brass
 ABS
 Stainless steel

HEADWORK SEALING

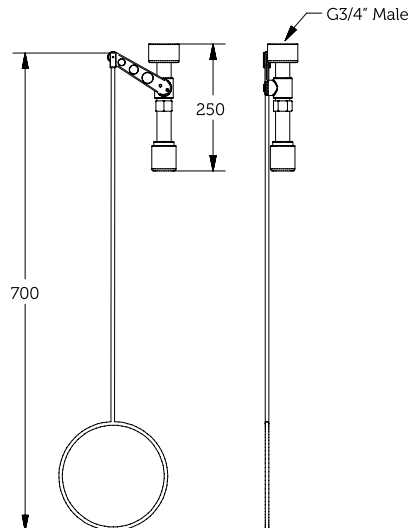
PTFE temperature working range: 0-70°

CONNECTION TAP

G3/4" male

STANDARD AND NORMS

DIN 4844-2-D and BGV A8 sign for body shower
 DIN EN 15154-1:2006
 DIN 12899-3:2009
 ANSI Z358.1-2004



WARRANTY 2 YEARS

APPLICATION

Orizzontal mounting

DETAILS

Test pressure: 9 Bars/air
 Max working pressure: 10 Bars
 Flow rate limited to 50 L/min

SURFACE PROTECTION

Epoxy painted/Nichel plating

MATERIALS

Brass
 ABS
 Stainless steel

HEADWORK SEALING

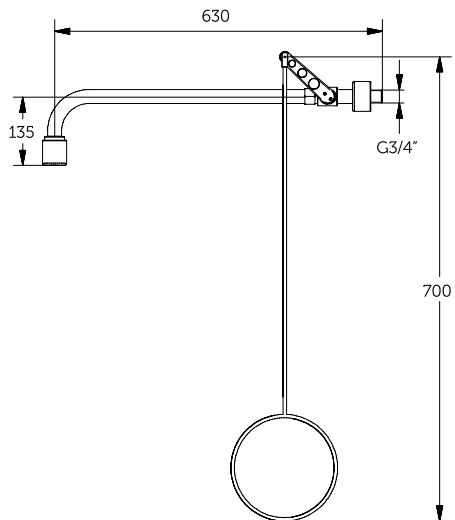
PTFE temperature working range: 0-70°

CONNECTION TAP

G3/4" male

STANDARD AND NORMS

DIN 4844-2-D and BGV A8 sign for body shower
 DIN EN 15154-1:2006
 DIN 12899-3:2009
 ANSI Z358.1-2004



WARRANTY 2 YEARS

APPLICATION

Orizzontal mounting

DETAILS

Test pressure: 9 Bars/air
 Max working pressure: 10 Bars
 Flow rate limited to 50 L/min

SURFACE PROTECTION

Epoxy painted/Nichel plating

MATERIALS

Brass
 ABS
 Stainless steel

HEADWORK SEALING

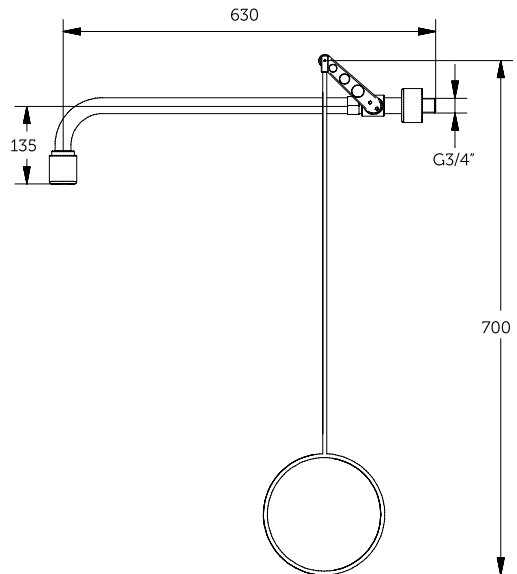
PTFE temperature working range: 0-70°

CONNECTION TAP

G3/4" male

STANDARD AND NORMS

DIN 4844-2-D and BGV A8 sign for body shower
 DIN EN 15154-1:2006
 DIN 12899-3:2009
 ANSI Z358.1-2004



WARRANTY 2 YEARS

APPLICATION

Orizzontal mounting

DETAILS

Test pressure: 9 Bars/air
 Max working pressure: 10 Bars
 Flow rate limited to 50 L/min

SURFACE PROTECTION

Epoxy painted/Nichel plating

MATERIALS

Brass
 ABS
 Stainless steel

HEADWORK SEALING

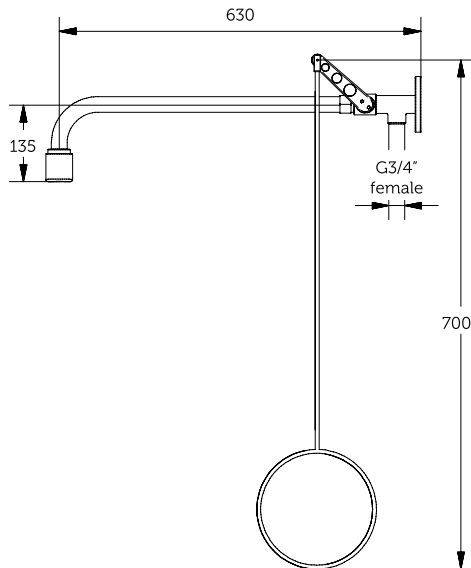
PTFE temperature working range: 0-70°

CONNECTION TAP

G3/4" female

STANDARD AND NORMS

DIN 4844-2-D and BGV A8 sign for body shower
 DIN EN 15154-1:2006
 DIN 12899-3:2009
 ANSI Z358.1-2004



WARRANTY 2 YEARS

APPLICATION

Orizzontal mounting

DETAILS

Test pressure: 9 Bars/air

Max working pressure: 10 Bars

Flow rate limited to 50 L/min

SURFACE PROTECTION

Epoxy painted/Nichel plating

MATERIALS

Brass

ABS

Stainless steel

HEADWORK SEALING

PTFE temperature working range: 0-70°

CONNECTION TAP

G3/4" female

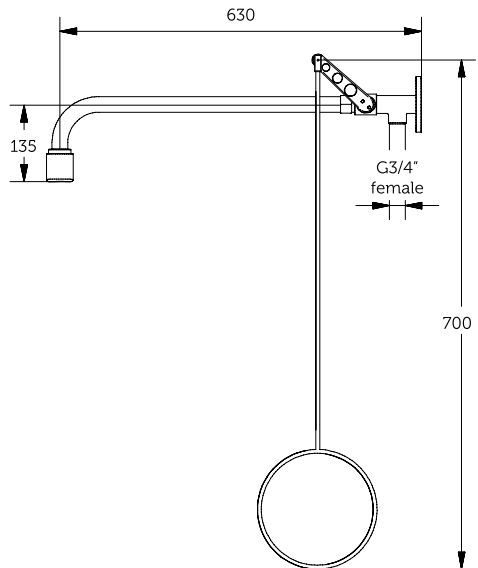
STANDARD AND NORMS

DIN 4844-2-D and BGV A8 sign for body shower

DIN EN 15154-1:2006

DIN 12899-3:2009

ANSI Z358.1-2004



WARRANTY 2 YEARS

APPLICATION

Floor mounting

DETAILS

Test pressure: 9 Bars/air
 Max working pressure: 10 Bars
 Flow rate limited to 50 L/min

SURFACE PROTECTION

Epoxy painted/Nichel plating

MATERIALS

Brass
 ABS
 Stainless steel

HEADWORK SEALING

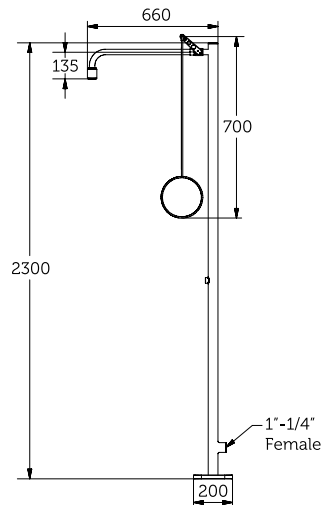
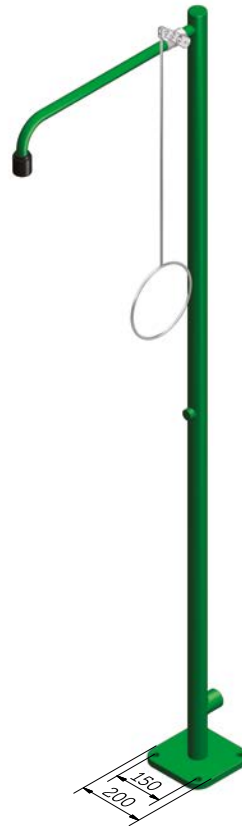
PTFE temperature working range: 0-70°

CONNECTION TAP

G 1"-1/4" female

STANDARD AND NORMS

DIN 4844-2-D and BGV A8 sign for body shower
 DIN EN 15154-1:2006
 DIN 12899-3:2009
 ANSI Z358.1-2004



WARRANTY 2 YEARS

APPLICATION

Floor mounting

DETAILS

Test pressure: 9 Bars/air
 Max working pressure: 10 Bars
 Flow rate limited to 50 L/min

SURFACE PROTECTION

Epoxy painted/Nichel plating

MATERIALS

Brass
 ABS
 Stainless steel

HEADWORK SEALING

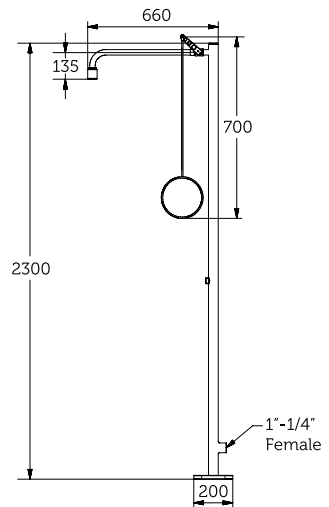
PTFE temperature working range: 0-70°

CONNECTION TAP

G 1"-1/4" female

STANDARD AND NORMS

DIN 4844-2-D and BGV A8 sign for body shower
 DIN EN 15154-1:2006
 DIN 12899-3:2009
 ANSI Z358.1-2004



WARRANTY 2 YEARS

APPLICATION

Floor mounting

DETAILS

Test pressure: 9 Bars/air
 Max working pressure: 10 Bars
 Flow rate limited to 50 L/min

SURFACE PROTECTION

Epoxy painted/Nichel plating

MATERIALS

Brass
 ABS
 Stainless steel

HEADWORK SEALING

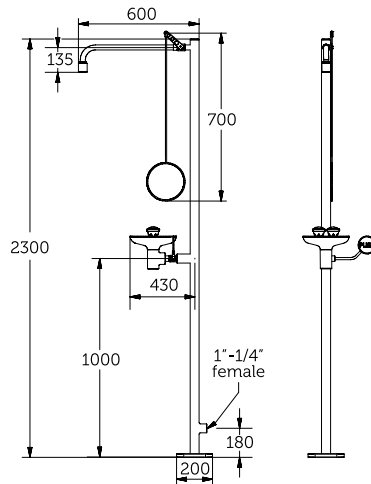
PTFE temperature working range: 0-70°

CONNECTION TAP

G 1"-1/4" female

STANDARD AND NORMS

DIN 4844-2-D and BGV A8 sign for body shower
 DIN EN 15154-1:2006
 DIN EN 15154-2:2006
 DIN 12899-3:2009
 DIN 67510
 ANSI Z358.1-2004



WARRANTY 2 YEARS

APPLICATION

Floor mounting

DETAILS

Test pressure: 9 Bars/air
 Max working pressure: 10 Bars
 Flow rate limited to 50 L/min

SURFACE PROTECTION

Epoxy painted/Nichel plating

MATERIALS

Brass
 ABS
 Stainless steel

HEADWORK SEALING

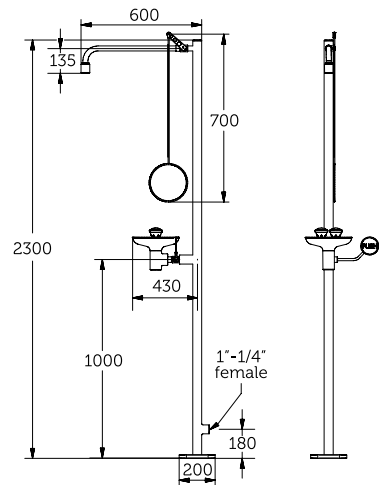
PTFE temperature working range: 0-70°

CONNECTION TAP

G1"-1/4" female

STANDARD AND NORMS

DIN 4844-2-D and BGV A8 sign for body shower
 DIN EN 15154-1:2006
 DIN EN 15154-2:2006
 DIN 12899-3:2009
 DIN 67510
 ANSI Z358.1-2004



WARRANTY 2 YEARS

APPLICATION

Floor mounting

DETAILS

Test pressure: 9 Bars/air
 Max working pressure: 10 Bars
 Flow rate limited to 50 L/min

SURFACE PROTECTION

Epoxy painted/Nichel plating

MATERIALS

Brass
 ABS
 Stainless steel

HEADWORK SEALING

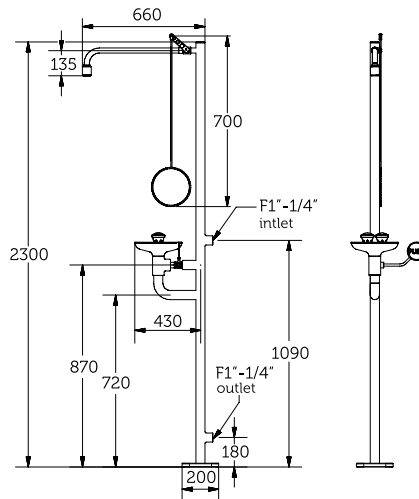
PTFE temperature working range: 0-70°

CONNECTION TAP

G1"-1/4" female

STANDARD AND NORMS

DIN 4844-2-D and BGV A8 sign for body shower
 DIN EN 15154-1:2006
 DIN EN 15154-2:2006
 DIN 12899-3:2009
 DIN 67510
 ANSI Z358.1-2004



WARRANTY 2 YEARS

APPLICATION

Floor mounting

DETAILS

Test pressure: 9 Bars/air
 Max working pressure: 10 Bars
 Flow rate limited to 50 L/min

SURFACE PROTECTION

Epoxy painted/Nichel plating

MATERIALS

Brass
 ABS
 Stainless steel

HEADWORK SEALING

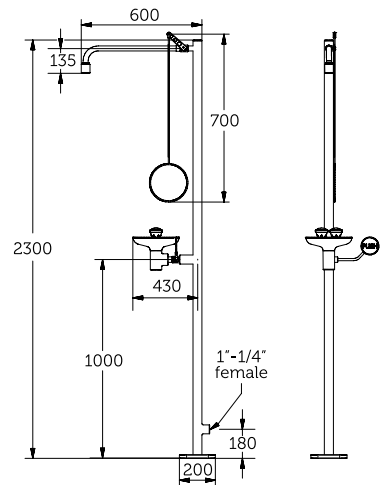
PTFE temperature working range: 0-70°

CONNECTION TAP

G1"-1/4" female

STANDARD AND NORMS

DIN 4844-2-D and BGV A8 sign for body shower
 DIN EN 15154-1:2006
 DIN EN 15154-2:2006
 DIN 12899-3:2009
 DIN 67510
 ANSI Z358.1-2004



WARRANTY 2 YEARS

APPLICATION

Floor mounting

DETAILS

Test pressure: 9 Bars/air
 Max working pressure: 10 Bars
 Flow rate limited to 50 L/min

SURFACE PROTECTION

Epoxy painted/Nichel plating

MATERIALS

Brass
 ABS
 Stainless steel

HEADWORK SEALING

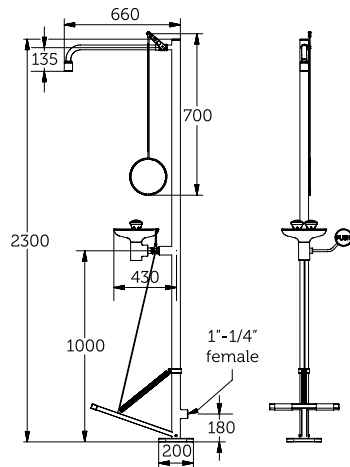
PTFE temperature working range: 0-70°

CONNECTION TAP

G1"-1/4" female

STANDARD AND NORMS

DIN 4844-2-D and BGV A8 sign for body shower
 DIN EN 15154-1:2006
 DIN EN 15154-2:2006
 DIN 12899-3:2009
 DIN 67510
 ANSI Z358.1-2004



WARRANTY 2 YEARS

APPLICATION

Floor mounting

DETAILS

Test pressure: 9 Bars/air
 Max working pressure: 10 Bars
 Flow rate limited to 50 L/min

SURFACE PROTECTION

Epoxy painted/Nichel plating

MATERIALS

Brass
 ABS
 Stainless steel

HEADWORK SEALING

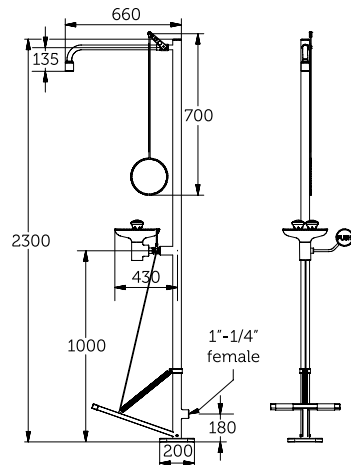
PTFE temperature working range: 0-70°

CONNECTION TAP

G1"-1/4" female

STANDARD AND NORMS

DIN 4844-2-D and BGV A8 sign for body shower
 DIN EN 15154-1:2006
 DIN EN 15154-2:2006
 DIN 12899-3:2009
 DIN 67510
 ANSI Z358.1-2004



WARRANTY 2 YEARS

APPLICATION

Floor mounting

DETAILS

Test pressure: 9 Bars/air
 Max working pressure: 10 Bars
 Flow rate limited to 50 L/min

SURFACE PROTECTION

Epoxy painted/Nichel plating

MATERIALS

Brass
 ABS
 Stainless steel

HEADWORK SEALING

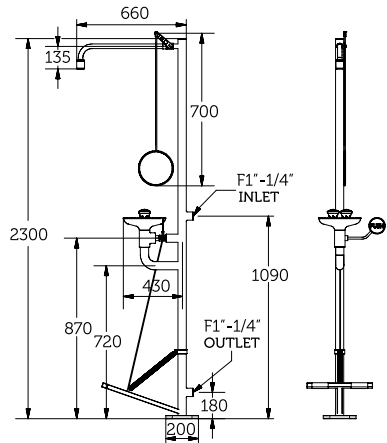
PTFE temperature working range: 0-70°

CONNECTION TAP

G1"-1/4" female

STANDARD AND NORMS

DIN 4844-2-D and BGV A8 sign for body shower
 DIN EN 15154-1:2006
 DIN EN 15154-2:2006
 DIN 12899-3:2009
 DIN 67510
 ANSI Z358.1-2004



WARRANTY 2 YEARS

APPLICATION

Floor mounting

DETAILS

Test pressure: 9 Bars/air
 Max working pressure: 10 Bars
 Flow rate limited to 50 L/min

SURFACE PROTECTION

Epoxy painted/Nichel plating

MATERIALS

Brass
 ABS
 Stainless steel

HEADWORK SEALING

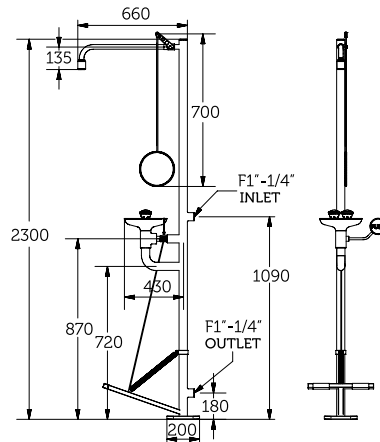
PTFE temperature working range: 0-70°

CONNECTION TAP

G1"-1/4" female

STANDARD AND NORMS

DIN 4844-2-D and BGV A8 sign for body shower
 DIN EN 15154-1:2006
 DIN EN 15154-2:2006
 DIN 12899-3:2009
 DIN 67510
 ANSI Z358.1-2004



WARRANTY 2 YEARS

APPLICATION

Floor mounting

DETAILS

Test pressure: 9 Bars/air
 Max working pressure: 10 Bars
 Flow rate limited to 16 L/min

SURFACE PROTECTION

Epoxy painted/Nichel plating

MATERIALS

Brass
 ABS
 Stainless steel

HEADWORK SEALING

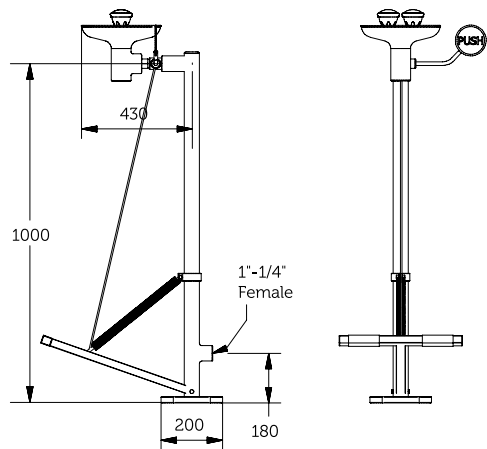
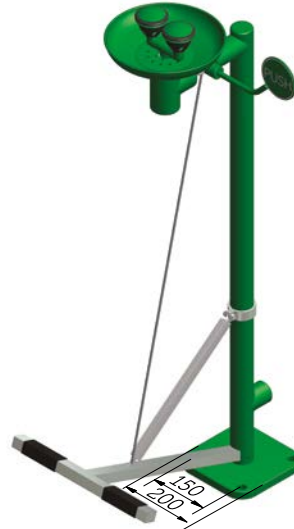
PTFE temperature working range: 0-70°

CONNECTION TAP

G1"-1/4" female

STANDARD AND NORMS

DIN 4844-2-D and BGV A8 sign for body shower
 DIN 4844-2-D
 BGV A8
 DIN EN 15154-2:2006
 ANSA Z358.1-2004



WARRANTY 2 YEARS

APPLICATION

Floor mounting

DETAILS

Test pressure: 9 Bars/air
 Max working pressure: 10 Bars
 Flow rate limited to 16 L/min

SURFACE PROTECTION

Epoxy painted/Nichel plating

MATERIALS

Brass
 ABS
 Stainless steel

HEADWORK SEALING

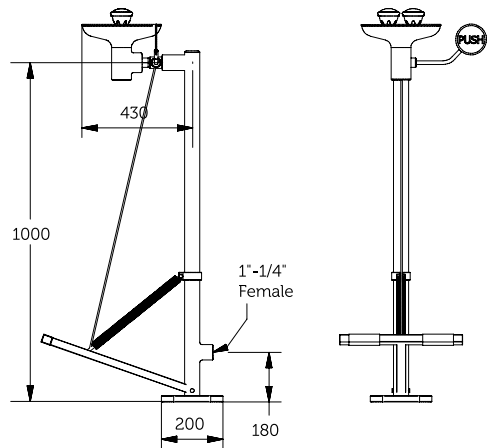
PTFE temperature working range: 0-70°

CONNECTION TAP

G1"-1/4" female

STANDARD AND NORMS

DIN 4844-2-D and BGV A8 sign for body shower
 DIN 4844-2-D
 BGV A8
 DIN EN 15154-2:2006
 ANSA Z358.1-2004



WARRANTY 2 YEARS

APPLICATION

Wall mounting

DETAILS

Test pressure: 9 Bars/air

Max working pressure: 10 Bars

Flow rate limited to 16 L/min

SURFACE PROTECTION

Epoxy painted

MATERIALS

Brass

ABS

Stainless steel

HEADWORK SEALING

PTFE temperature working range: 0-70°

CONNECTION TAP

G 3/4" female

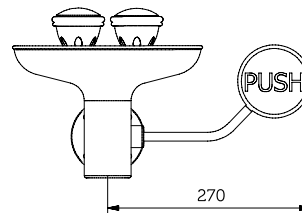
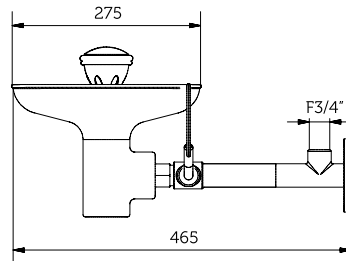
STANDARD AND NORMS

DIN 4844-2-D

BGV A8

DIN EN 15154-2:2006

ANSI Z358.1-2004



WARRANTY 2 YEARS

APPLICATION

Wall mounting

DETAILS

Test pressure: 9 Bars/air

Max working pressure: 10 Bars

Flow rate limited to 16 L/min

SURFACE PROTECTION

Epoxy painted

MATERIALS

Brass

ABS

Stainless steel

HEADWORK SEALING

PTFE temperature working range: 0-70°

CONNECTION TAP

G 3/4" female

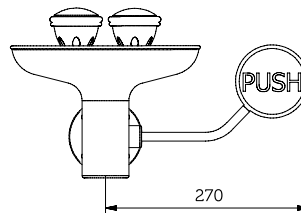
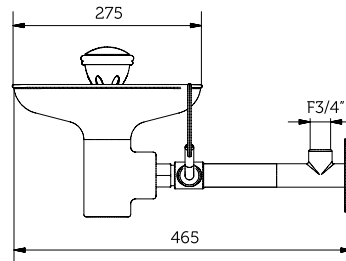
STANDARD AND NORMS

DIN 4844-2-D

BGV A8

DIN EN 15154-2:2006

ANSI Z358.1-2004



WARRANTY 2 YEARS

APPLICATION

Bench mounting

DETAILS

Test pressure: 9 Bars/air

Max working pressure: 5 Bars

Flow rate limited to 7L/min

SURFACE PROTECTION

Chemical nikel plating

MATERIALS

Brass

ABS

EPDM

Stainless steel

HEADWORK SEALING

EPDM temperature working range: 0-70°

CONNECTION TAP

Swivelling nut G1/2" female

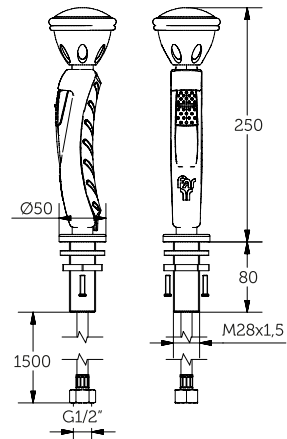
STANDARD AND NORMS

DIN4844-2-D and BGV A8

DIN1988 - DIN EN 1717

DIN EN 15154-2:2006

ANSA Z358.1-2004



WARRANTY 2 YEARS

APPLICATION

Bench mounting

DETAILS

Test pressure: 9 Bars/air

Max working pressure: 5 Bars

Flow rate limited to 7L/min

SURFACE PROTECTION

Chemical nikel plating

MATERIALS

Brass

ABS

EPDM

Stainless steel

HEADWORK SEALING

EPDM temperature working range: 0-70°

CONNECTION TAP

Swivelling nut G1/2" female

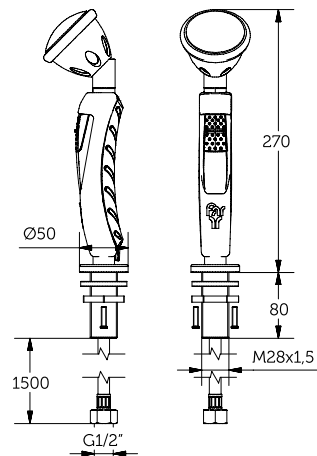
STANDARD AND NORMS

DIN4844-2-D and BGV A8

DIN1988 - DIN EN 1717

DIN EN 15154-2:2006

ANSA Z358.1-2004



WARRANTY 2 YEARS

APPLICATION

Wall mounting

DETAILS

Test pressure: 9 Bars/air

Max working pressure: 5 Bars

Flow rate limited to 7L/min

SURFACE PROTECTION

Chemical nickel plating

MATERIALS

Brass

ABS

EPDM

Stainless steel

HEADWORK SEALING

EPDM temperature working range: 0-70°

CONNECTION TAP

Swivelling nut G1/2" female

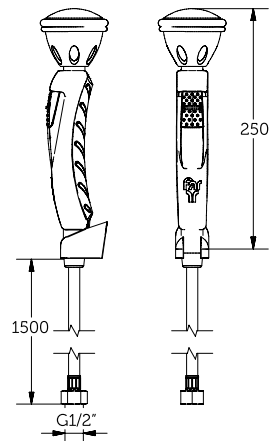
STANDARD AND NORMS

DIN4844-2-D and BGV A8

DIN1988 - DIN EN 1717

DIN EN 15154-2:2006

ANSA Z358.1-2004



WARRANTY 2 YEARS

APPLICATION

Wall mounting

DETAILS

Test pressure: 9 Bars/air

Max working pressure: 5 Bars

Flow rate limited to 7L/min

SURFACE PROTECTION

Chemical nickel plating

MATERIALS

Brass

ABS

EPDM

Stainless steel

HEADWORK SEALING

EPDM temperature working range: 0-70°

CONNECTION TAP

Swivelling nut G1/2" female

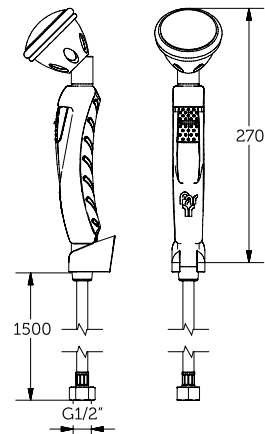
STANDARD AND NORMS

DIN4844-2-D and BGV A8

DIN1988 - DIN EN 1717

DIN EN 15154-2:2006

ANSA Z358.1-2004



WARRANTY 2 YEARS

APPLICATION

Bench mounting

DETAILS

Test pressure: 9 Bars/air

Max working pressure: 5 Bars

Flow rate limited to 14L/min

SURFACE PROTECTION

Chemical nikel plating

MATERIALS

Brass

ABS

EPDM

Stainless steel

HEADWORK SEALING

EPDM temperature working range: 0-70°

CONNECTION TAP

Swivelling nut G1/2" female

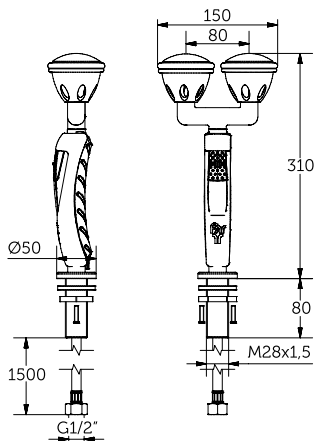
STANDARD AND NORMS

DIN4844-2-D and BGV A8

DIN1988 - DIN EN 1717

DIN EN 15154-2:2006

ANSA Z358.1-2004



WARRANTY 2 YEARS

APPLICATION

Bench mounting

DETAILS

Test pressure: 9 Bars/air

Max working pressure: 5 Bars

Flow rate limited to 14L/min

SURFACE PROTECTION

Chemical nikel plating

MATERIALS

Brass

ABS

EPDM

Stainless steel

HEADWORK SEALING

EPDM temperature working range: 0-70°

CONNECTION TAP

Swivelling nut G1/2" female

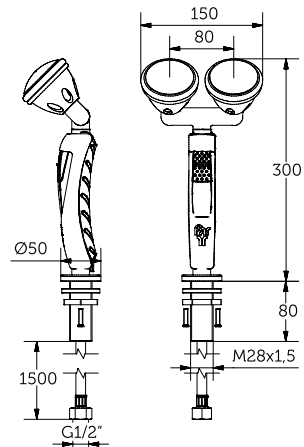
STANDARD AND NORMS

DIN4844-2-D and BGV A8

DIN1988 - DIN EN 1717

DIN EN 15154-2:2006

ANSA Z358.1-2004



WARRANTY 2 YEARS

APPLICATION

Wall mounting

DETAILS

Test pressure: 9 Bars/air
 Max working pressure: 5 Bars
 Flow rate limited to 14L/min

SURFACE PROTECTION

Chemical nikel plating

MATERIALS

Brass
 ABS
 EPDM
 Stainless steel

HEADWORK SEALING

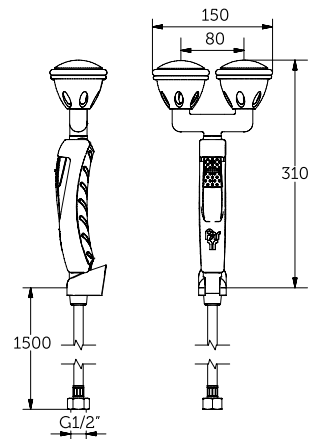
EPDM temperature
 working range: 0-70°

CONNECTION TAP

Swivelling nut G1/2" female

STANDARD AND NORMS

DIN4844-2-D and BGV A8
 DIN1988 - DIN EN 1717
 DIN EN 15154-2:2006
 ANSA Z358.1-2004



WARRANTY 2 YEARS

APPLICATION

Wall mounting

DETAILS

Test pressure: 9 Bars/air
 Max working pressure: 5 Bars
 Flow rate limited to 14L/min

SURFACE PROTECTION

Chemical nikel plating

MATERIALS

Brass
 ABS
 EPDM
 Stainless steel

HEADWORK SEALING

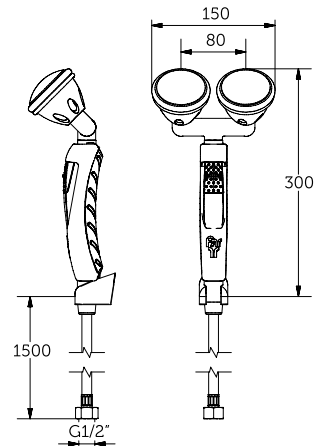
EPDM temperature
 working range: 0-70°

CONNECTION TAP

Swivelling nut G1/2" female

STANDARD AND NORMS

DIN4844-2-D and BGV A8
 DIN1988 - DIN EN 1717
 DIN EN 15154-2:2006
 ANSA Z358.1-2004



WARRANTY 2 YEARS