



## LEGEND

Codes indicated with numbers:

### 13XXX.1

supplied with G 3/8" coupling

### 13XXX.2

supplied with G 1/2" coupling

1. To require chemical nickel plating  
add NK to the article's code

**EX. 13001.1NK**

## TECHNICAL INFORMATION

The taps for technical gases are supplied with re-fined adjustment head valve, with sealing in PTFE.

Fixed nozzle in compliance with the DIN12898 regulation.

Handles in compliance with EN13792:2000 regulation and manufactured in acid-resistant PP.

Threads in compliance with ISO228/1 regulation, B tolerance class.

Taps are built following the DIN12918 norm.

The taps for oxygen and hydrogen are equipped with an headwork lubricated with specific and omologated grease.

Maximum working pressure 10 Bar.

Taps finished with acid-resistant epoxy powder painting.

**APPLICATION**

Wall mounting - Vertical mounting

**DETAILS**

Test pressure: 9 Bars/air  
Max working pressure: 20 Bars

**SURFACE PROTECTION**

Epoxy powder coating  
RAL 7035

**MATERIALS**

Brass  
Handle in PP

**HEADWORK SEALING**

PTFE temperature working range: 0 - 100°

**CONNECTION TAP**

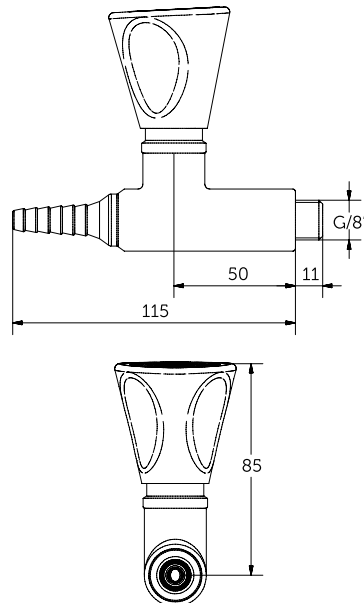
Male thread G3/8"

**STANDARD AND NORMS**

EN13792:2000  
DIN12898  
DIN12918  
ISO228/1

**OPTIONS**

For Purity 4.0 and O2-H2  
13000.1MDSDG (o-ring viton)  
For Steam 13000.1MDST  
(o-ring viton)



**WARRANTY 2 YEARS**

**APPLICATION**

Wall mounting - Vertical mounting

**DETAILS**

Test pressure: 9 Bars/air

Max working pressure: 20 Bars

**SURFACE PROTECTION**

Epoxy powder coating  
RAL 7035

**MATERIALS**

Brass

Handle in PP

**HEADWORK SEALING**

PTFE temperature working range: 0 - 100°

**CONNECTION TAP**

Male thread G3/8"

**STANDARD AND NORMS**

EN13792:2000

DIN12898

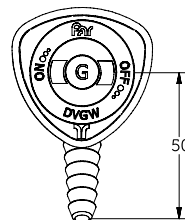
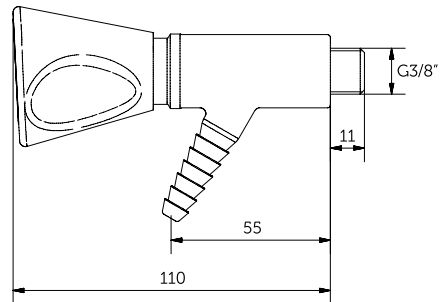
DIN12918

ISO228/1

**OPTIONS**

For Purity 4.0 and O2-H2  
13001.1MDSGD (o-ring viton)

For Steam 13001.1MDST  
(o-ring viton)



**APPLICATION**

Wall mounting - Vertical mounting

**DETAILS**

Test pressure: 9 Bars/air

Max working pressure: 20 Bars

**SURFACE PROTECTION**

Epoxy powder coating  
RAL 7035

**MATERIALS**

Brass

Handle in PP

**HEADWORK SEALING**

PTFE temperature working range: 0 - 100°

**CONNECTION TAP**

Male thread G3/8"

**STANDARD AND NORMS**

EN13792:2000

DIN12898

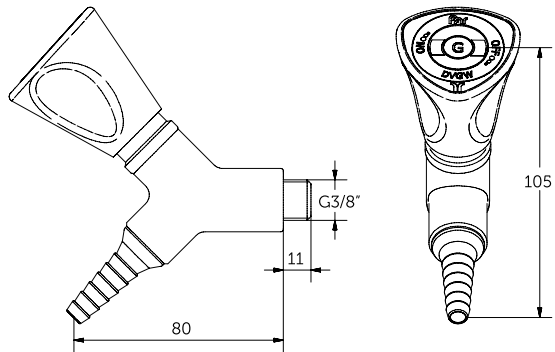
DIN12918

ISO228/1

**OPTIONS**

For Purity 4.0 and O2-H2  
13002.1MDS DG (o-ring viton)

For Steam 13002.1MDST  
(o-ring viton)



**APPLICATION**

Wall mounting - Vertical mounting

**DETAILS**

Test pressure: 9 Bars/air

Max working pressure: 20 Bars

**SURFACE PROTECTION**

Epoxy powder coating  
RAL 7035

**MATERIALS**

Brass

Handle in PP

**HEADWORK SEALING**

PTFE temperature working range: 0 - 100°

**CONNECTION TAP**

Male thread G3/8"

**STANDARD AND NORMS**

EN13792:2000

DIN12898

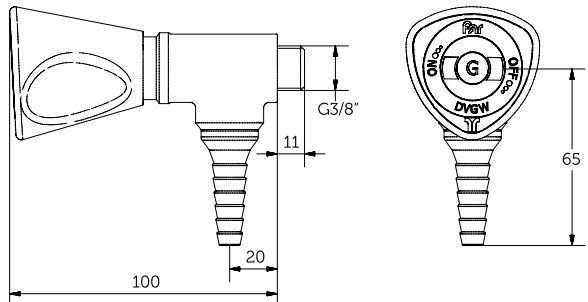
DIN12918

ISO228/1

**OPTIONS**

For Purity 4.0 and O2-H2  
13003.1MDSGD (o-ring viton)

For Steam 13003.1MDST  
(o-ring viton)



**APPLICATION**

Bench mounting

**DETAILS**

Test pressure: 9 Bars/air

Max working pressure: 20 Bars

**SURFACE PROTECTION**

Epoxy powder coating  
RAL 7035

**MATERIALS**

Brass

Handle in PP

**HEADWORK SEALING**

PTFE temperature  
working range: 0 - 100°

**CONNECTION TAP**

Male thread G1/2"

**STANDARD AND NORMS**

EN13792:2000

DIN12898

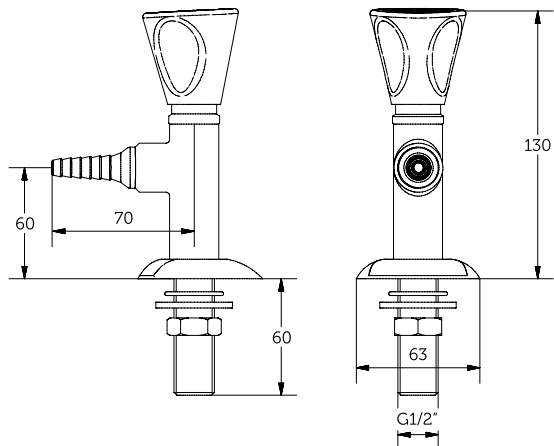
DIN12918

ISO228/1

**OPTIONS**

For Purity 4.0 and O2-H2  
13010.2MDSDG (o-ring viton)

For Steam 13010.2MDST  
(o-ring viton)



**APPLICATION**

Bench mounting

**DETAILS**

Test pressure: 9 Bars/air

Max working pressure: 20 Bars

**SURFACE PROTECTION**

Epoxy powder coating  
RAL 7035

**MATERIALS**

Brass

Handle in PP

**HEADWORK SEALING**

PTFE temperature  
working range: 0 - 100°

**CONNECTION TAP**

Male thread G1/2"

**STANDARD AND NORMS**

EN13792:2000

DIN12898

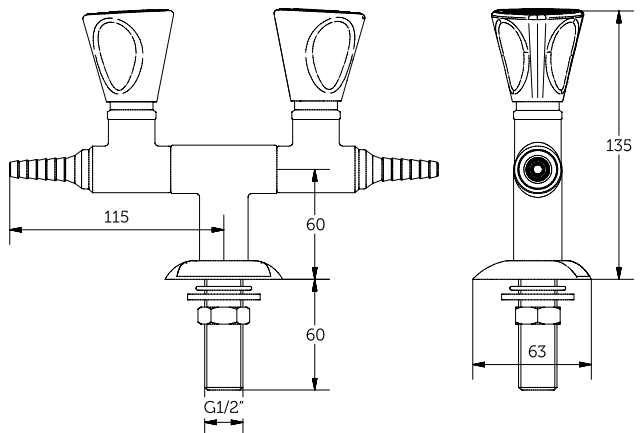
DIN12918

ISO228/1

**OPTIONS**

For Purity 4.0 and O2-H2  
13011.2MDSGD (o-ring viton)

For Steam 13011.2MDST  
(o-ring viton)



**WARRANTY 2 YEARS**



**APPLICATION**

Bench mounting

**DETAILS**

Test pressure: 9 Bars/air

Max working pressure: 20 Bars

**SURFACE PROTECTION**

Epoxy powder coating  
RAL 7035

**MATERIALS**

Brass

Handle in PP

**HEADWORK SEALING**

PTFE temperature  
working range: 0 - 100°

**CONNECTION TAP**

Male thread G1/2"

**STANDARD AND NORMS**

EN13792:2000

DIN12898

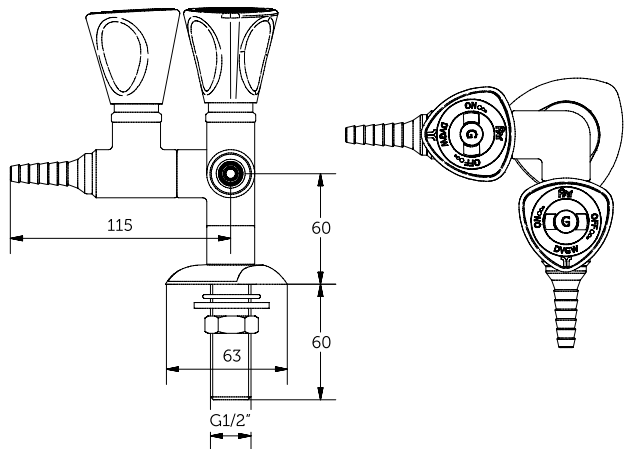
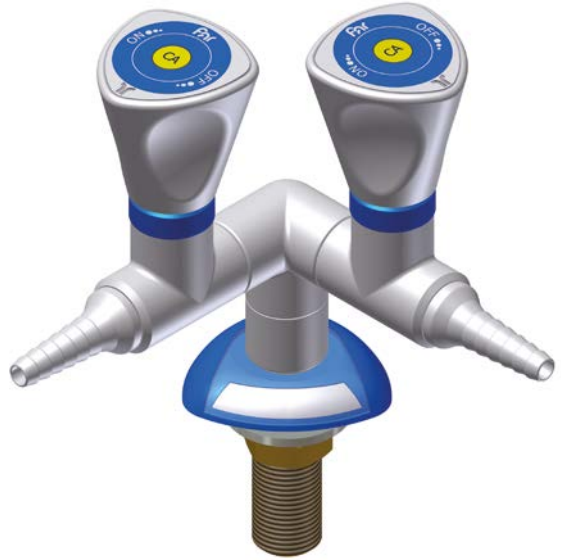
DIN12918

ISO228/1

**OPTIONS**

For Purity 4.0 and O2-H2  
13012.2MDS DG (o-ring viton)

For Steam 13012.2MDST  
(o-ring viton)



**WARRANTY 2 YEARS**

**APPLICATION**

Bench mounting

**DETAILS**

Test pressure: 9 Bars/air

Max working pressure: 20 Bars

**SURFACE PROTECTION**

Epoxy powder coating  
RAL 7035

**MATERIALS**

Brass

Handle in PP

**HEADWORK SEALING**

PTFE temperature  
working range: 0 - 100°

**CONNECTION TAP**

Male thread G1/2"

**STANDARD AND NORMS**

EN13792:2000

DIN12898

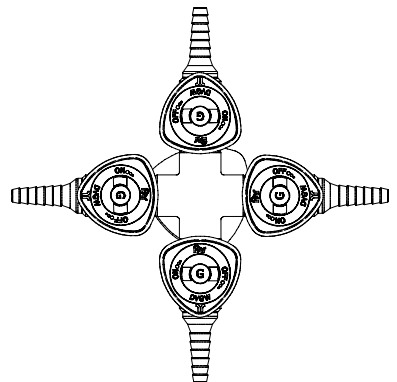
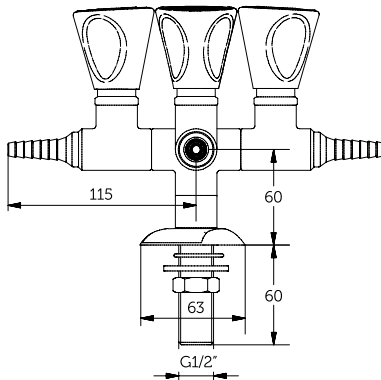
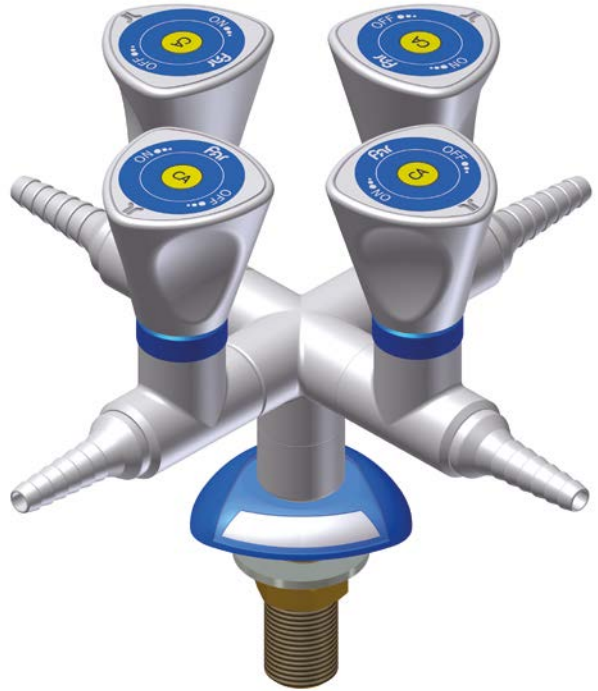
DIN12918

ISO228/1

**OPTIONS**

For Purity 4.0 and O2-H2  
13013.2MDS DG (o-ring viton)

For Steam 13013.2MDST  
(o-ring viton)



**APPLICATION**

Wall mounting - Vertical mounting

**DETAILS**

Test pressure: 9 Bars/air

Max working pressure: 20 Bars

**SURFACE PROTECTION**

Epoxy powder coating  
RAL 7035

**MATERIALS**

Brass

Handle in PP

**HEADWORK SEALING**

PTFE temperature  
working range: 0 - 100°

**CONNECTION TAP**

Male thread G1/2"

**STANDARD AND NORMS**

EN13792:2000

DIN12898

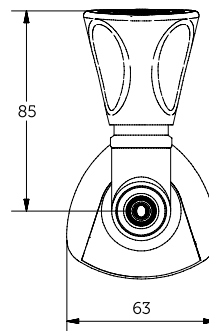
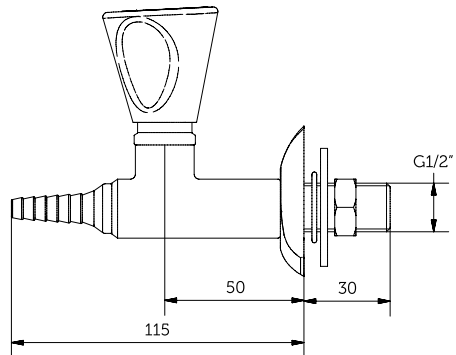
DIN12918

ISO228/1

**OPTIONS**

For Purity 4.0 and O2-H2  
13050.2MDSDG (o-ring viton)

For Steam 13050.2MDST  
(o-ring viton)



**WARRANTY 2 YEARS**

**APPLICATION**

Wall mounting - Vertical mounting

**DETAILS**

Test pressure: 9 Bars/air

Max working pressure: 20 Bars

**SURFACE PROTECTION**

Epoxy powder coating  
RAL 7035

**MATERIALS**

Brass

Handle in PP

**HEADWORK SEALING**

PTFE temperature working range: 0 - 100°

**CONNECTION TAP**

Male thread G1/2"

**STANDARD AND NORMS**

EN13792:2000

DIN12898

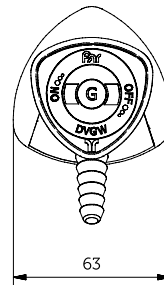
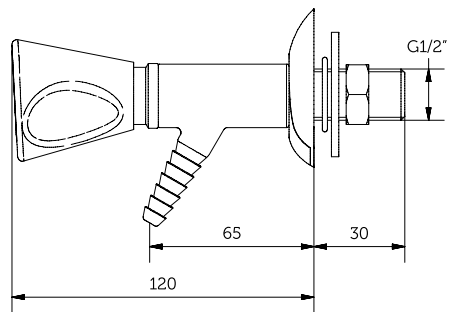
DIN12918

ISO228/1

**OPTIONS**

For Purity 4.0 and O2-H2  
13051.2MDSGD (o-ring viton)

For Steam 13051.2MDST  
(o-ring viton)



**APPLICATION**

Wall mounting - Vertical mounting

**DETAILS**

Test pressure: 9 Bars/air

Max working pressure: 20 Bars

**SURFACE PROTECTION**

Epoxy powder coating  
RAL 7035

**MATERIALS**

Brass

Handle in PP

**HEADWORK SEALING**

PTFE temperature working range: 0 - 100°

**CONNECTION TAP**

Male thread G1/2"

**STANDARD AND NORMS**

EN13792:2000

DIN12898

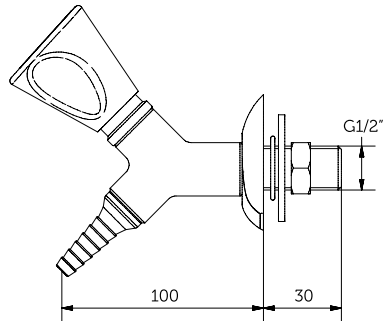
DIN12918

ISO228/1

**OPTIONS**

For Purity 4.0 and O2-H2  
13052.2MDS DG (o-ring viton)

For Steam 13052.2MDST  
(o-ring viton)



**APPLICATION**

Wall mounting - Vertical mounting

**DETAILS**

Test pressure: 9 Bars/air

Max working pressure: 20 Bars

**SURFACE PROTECTION**

Epoxy powder coating  
RAL 7035

**MATERIALS**

Brass

Handle in PP

**HEADWORK SEALING**

PTFE temperature working range: 0 - 100°

**CONNECTION TAP**

Male thread G1/2"

**STANDARD AND NORMS**

EN13792:2000

DIN12898

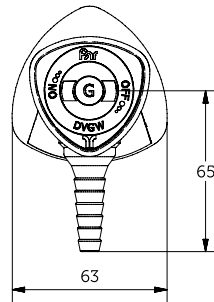
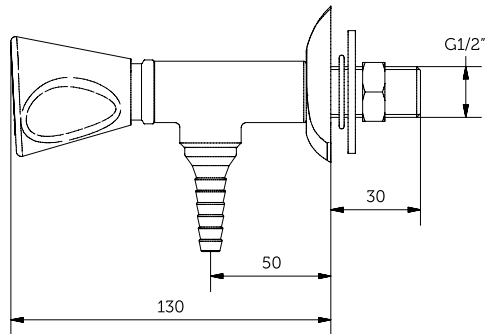
DIN12918

ISO228/1

**OPTIONS**

For Purity 4.0 and O2-H2  
13053.2MDSGD (o-ring viton)

For Steam 13053.2MDST  
(o-ring viton)



**APPLICATION**

Wall mounting - Vertical mounting

**DETAILS**

Test pressure: 9 Bars/air  
Max working pressure: 20 Bars

**SURFACE PROTECTION**

Epoxy powder coating  
RAL 7035

**MATERIALS**

Brass  
Handle in PP

**HEADWORK SEALING**

PTFE temperature working range: 0 - 100°

**CONNECTION TAP**

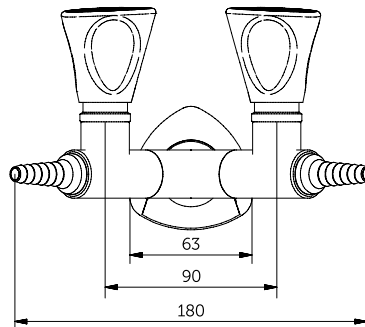
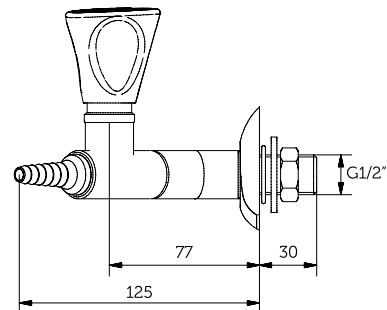
Male thread G1/2"

**STANDARD AND NORMS**

EN13792:2000  
DIN12898  
DIN12918  
ISO228/1

**OPTIONS**

For Purity 4.0 and O2-H2  
13060.2MDS DG (o-ring viton)  
For Steam 13060.2MDST  
(o-ring viton)



**WARRANTY 2 YEARS**

**APPLICATION**

Wall mounting - Vertical mounting

**DETAILS**

Test pressure: 9 Bars/air  
Max working pressure: 20 Bars

**SURFACE PROTECTION**

Epoxy powder coating  
RAL 7035

**MATERIALS**

Brass  
Handle in PP

**HEADWORK SEALING**

PTFE temperature working range: 0 - 100°

**CONNECTION TAP**

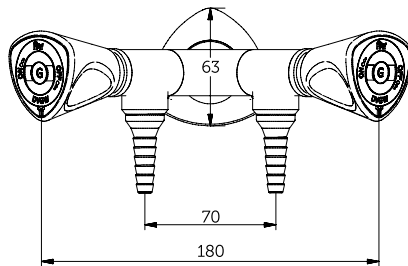
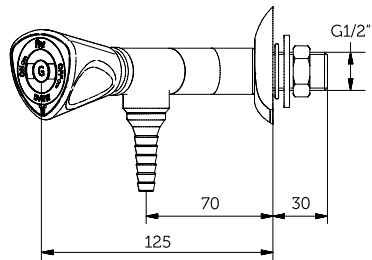
Male thread G1/2"

**STANDARD AND NORMS**

EN13792:2000  
DIN12898  
DIN12918  
ISO228/1

**OPTIONS**

For Purity 4.0 and O2-H2  
13062.2MDSGD (o-ring viton)  
For Steam 13062.2MDST (o-ring viton)



**WARRANTY 2 YEARS**



**APPLICATION**

Wall mounting - Vertical mounting

**DETAILS**

Test pressure: 9 Bars/air

Max working pressure: 20 Ba

**SURFACE PROTECTION**

Epoxy powder coating  
RAL 7035

**MATERIALS**

Brass

Handle in PP

**HEADWORK SEALING**

PTFE temperature  
working range: 0 - 100°

**CONNECTION TAP**

Male thread G1/2"

**STANDARD AND NORMS**

EN13792:2000

DIN12898

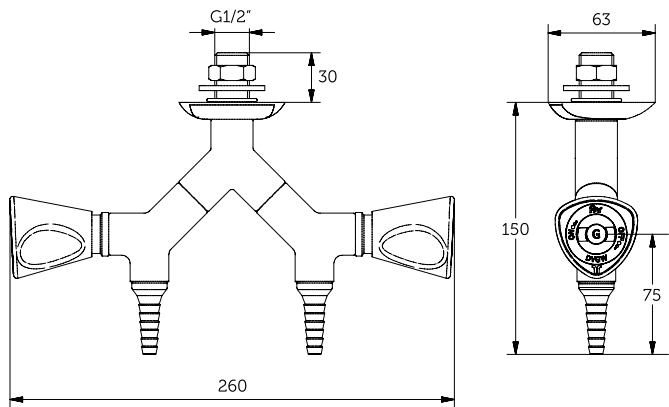
DIN12918

ISO228/1

**OPTIONS**

For Purity 4.0 and O2-H2  
13064.2MDSDG (o-ring viton)

For Steam 13064.2MDST  
(o-ring viton)



**APPLICATION**

Fume cupboard

**DETAILS**

Test pressure: 9 Bars/air

Max working pressure: 20 Bar

**SURFACE PROTECTION**

Epoxy powder coating  
RAL 7035

**MATERIALS**

Brass

Handle in PP

**HEADWORK SEALING**

PTFE temperature  
working range: 0 - 100°

**CONNECTION TAP**

Flexibles with swivelling  
nut F3/8"

**STANDARD AND NORMS**

EN13792:2000

DIN12898

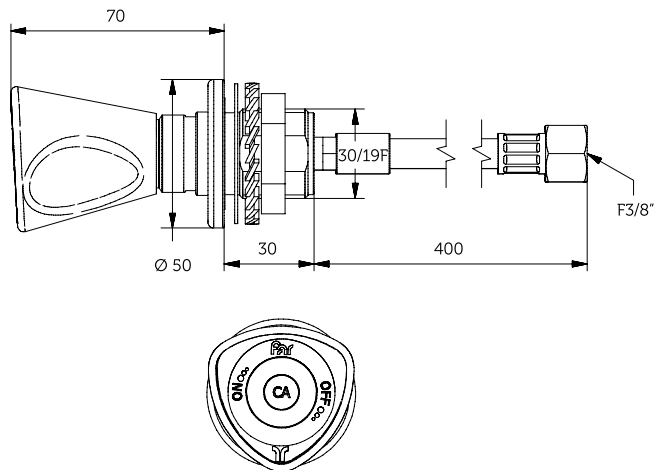
DIN12918

ISO228/1

**OPTIONS**

For Purity 4.0 and O2-H2  
13300.MDSFDG (o-ring viton)

For Steam 13300.MDSFT  
(o-ring viton)



**WARRANTY 2 YEARS**

**APPLICATION**

Fume cupboard

**DETAILS**

Test pressure: 9 Bars/air

Max working pressure: 20 Bars

**SURFACE PROTECTION**

Epoxy powder coating  
RAL 7035

**MATERIALS**

Brass

Handle in PP

**HEADWORK SEALING**

PTFE temperature  
working range: 0 - 100°

**CONNECTION TAP**

Copper Tubes Ø10

**STANDARD AND NORMS**

EN13792:2000

DIN12898

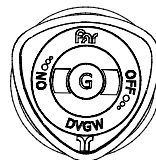
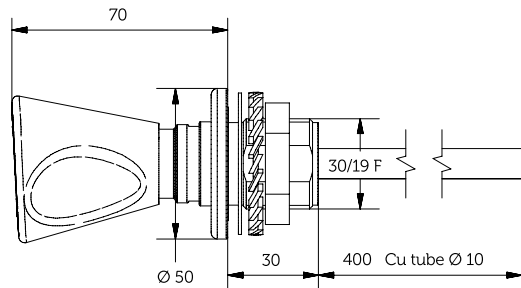
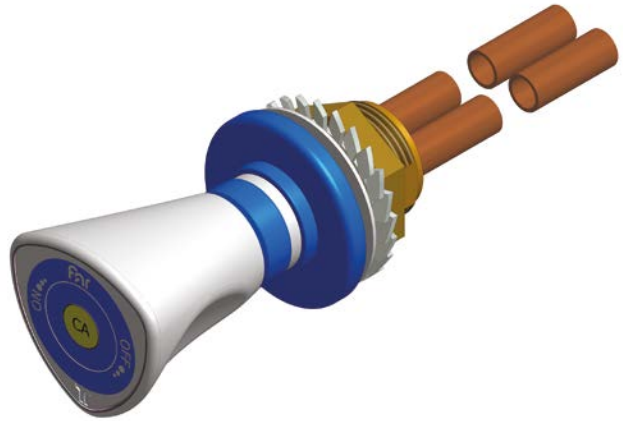
DIN12918

ISO228/1

**OPTIONS**

For Purity 4.0 and O2-H2  
13300.MDSTDG (o-ring viton)

For Steam 13300.MDSTT  
(o-ring viton)



**WARRANTY 2 YEARS**

**APPLICATION**

Wall mounting  
Fume cupboard

**SURFACE PROTECTION**

Epoxy powder coating  
RAL 7035

**MATERIALS**

Brass

**CONNECTION TAP**

Male thread G3/8"

**STANDARD AND NORMS**

EN13792:2000

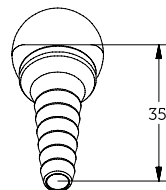
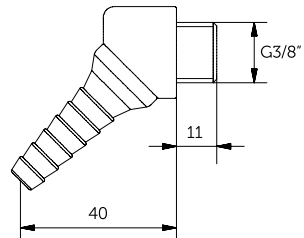
DIN12898

DIN12918

ISO228/1

**OPTIONS**

With chemical nickel  
plating 17 microns inside



**APPLICATION**

Wall mounting  
Fume cupboard

**SURFACE PROTECTION**

Epoxy powder coating  
RAL 7035

**MATERIALS**

Brass

**CONNECTION TAP**

Male thread G3/8"

**STANDARD AND NORMS**

EN13792:2000

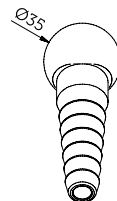
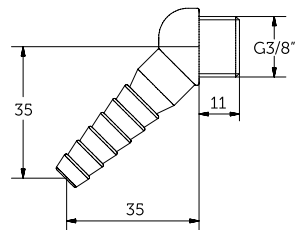
DIN12898

DIN12918

ISO228/1

**OPTIONS**

With chemical nickel  
plating 17 microns inside



**APPLICATION**

Wall mounting  
Fume cupboard

**SURFACE PROTECTION**

Epoxy powder coating  
RAL 7035

**MATERIALS**

Brass

**CONNECTION TAP**

Male thread G1/2"

**STANDARD AND NORMS**

EN13792:2000

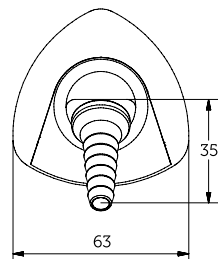
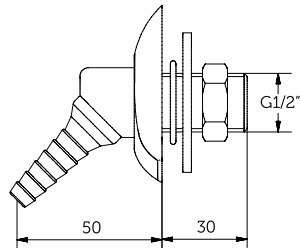
DIN12898

DIN12918

ISO228/1

**OPTIONS**

With chemical nickel  
plating 17 microns inside



**APPLICATION**

Wall mounting

**SURFACE PROTECTION**

Epoxy powder coating  
RAL 7035

**MATERIALS**

Brass

**CONNECTION TAP**

Male thread G3/8"

**STANDARD AND NORMS**

EN13792:2000

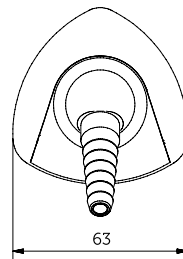
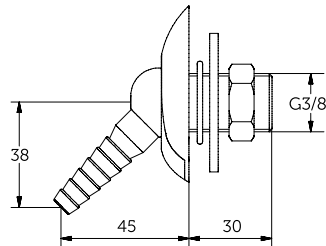
DIN12898

DIN12918

ISO228/1

**OPTIONS**

With chemical nickel  
plating 17 microns inside



**WARRANTY 2 YEARS**

**APPLICATION**

Bench - Wall mounting

Fume cupboard

**SURFACE PROTECTION**

Epoxy powder coating

RAL 7035

**MATERIALS**

Brass

**CONNECTION TAP**

Male thread G1/2"

**STANDARD AND NORMS**

EN13792:2000

DIN12898

DIN12918

ISO228/1

**OPTIONS**

With chemical nickel  
plating 17 microns inside

