



LEGEND

Codes indicated with numbers:

12XXX.1

supplied with G 3/8" coupling

12XXX.2

supplied with G 1/2" coupling

1. To require chemical nickel plating
add NK to the article's code

EX. 12001.1NK

TECHNICAL INFORMATION

Water taps for combustible gases is supplied with ceramic safety spring lock head valve.

Fixed nozzle in compliance with the DIN12898 regulation.

Handles in compliance with EN13792:2000 regulation and manufactured in acid-resistant PP.

Threads in compliance with ISO228/1 regulation, B tolerance class.

Taps are built following the DIN12918 norm.

The taps for combustible gases are teste for maximum working pressure of 0.2 Bar, manufactured under DIN 12918, and are all DVGW approved.

Taps finished with acid-resistant epoxy powder painting.

APPLICATION

Wall mounting - Vertical mounting

DETAILS

Test pressure: 9 Bars/air
Max working pressure: 7 Bars

SURFACE PROTECTION

Epoxy powder coating
RAL 7035

MATERIALS

Brass
Handle in PP

HEADWORK SEALING

CERAMIC and Nitrile

CONNECTION TAP

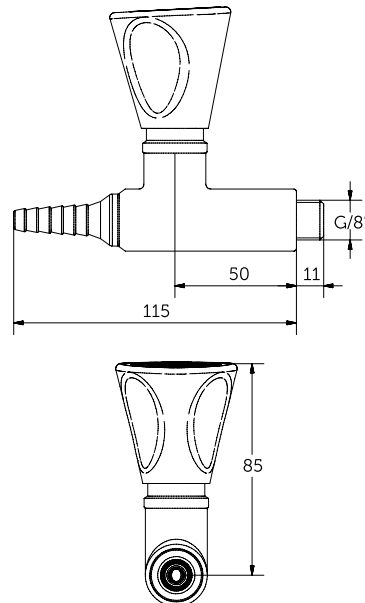
Male thread G3/8"

STANDARD AND NORMS

EN13792:2000
DIN12898
DIN12918
ISO228/1

OPTIONS

With chemical nickel plating 17 microns inside



WARRANTY 2 YEARS

APPLICATION

Wall mounting - Vertical mounting

DETAILS

Test pressure: 9 Bars/air
Max working pressure: 7 Bars

SURFACE PROTECTION

Epoxy powder coating
RAL 7035

MATERIALS

Brass
Handle in PP

HEADWORK SEALING

CERAMIC and Nitrile

CONNECTION TAP

Male thread G3/8"

STANDARD AND NORMS

EN13792:2000

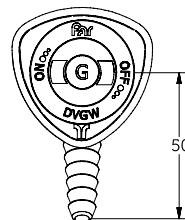
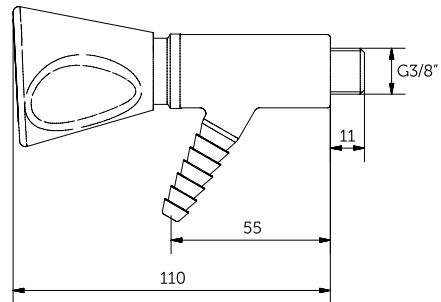
DIN12898

DIN12918

ISO228/1

OPTIONS

With chemical nickel plating 17 microns inside



WARRANTY 2 YEARS

APPLICATION

Wall mounting - Vertical mounting

DETAILS

Test pressure: 9 Bars/air

Max working pressure: 7 Bars

SURFACE PROTECTION

Epoxy powder coating
RAL 7035

MATERIALS

Brass

Handle in PP

HEADWORK SEALING

CERAMIC and Nitrile

CONNECTION TAP

Male thread G3/8"

STANDARD AND NORMS

EN13792:2000

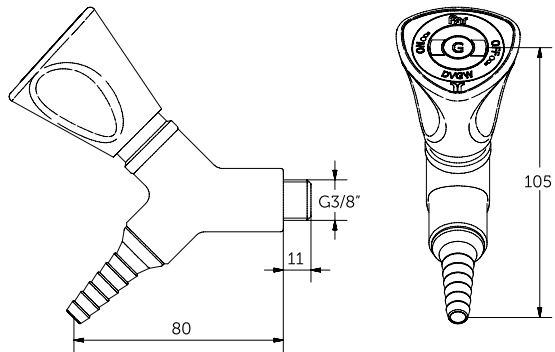
DIN12898

DIN12918

ISO228/1

OPTIONS

With chemical nickel plating 17 microns inside



APPLICATION

Wall mounting - Vertical mounting

DETAILS

Test pressure: 9 Bars/air

Max working pressure: 7 Bars

SURFACE PROTECTION

Epoxy powder coating
RAL 7035

MATERIALS

Brass

Handle in PP

HEADWORK SEALING

CERAMIC and Nitrile

CONNECTION TAP

Male thread G3/8"

STANDARD AND NORMS

EN13792:2000

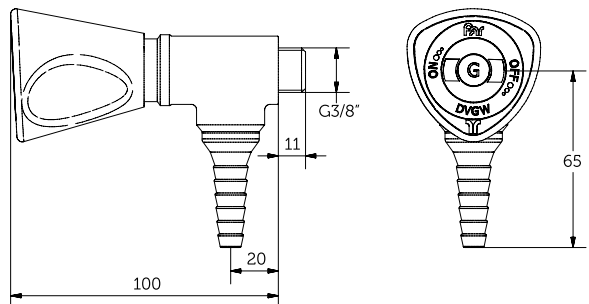
DIN12898

DIN12918

ISO228/1

OPTIONS

With chemical nickel plating 17 microns inside



APPLICATION

Bench mounting

DETAILS

Test pressure: 9 Bars/air

Max working pressure: 7 Bars

SURFACE PROTECTION

Epoxy powder coating
RAL 7035

MATERIALS

Brass

Handle in PP

HEADWORK SEALING

CERAMIC and Nitrile

CONNECTION TAP

Male thread G1/2"

STANDARD AND NORMS

EN13792:2000

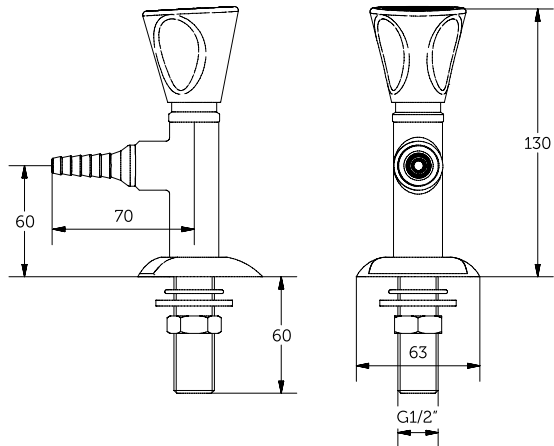
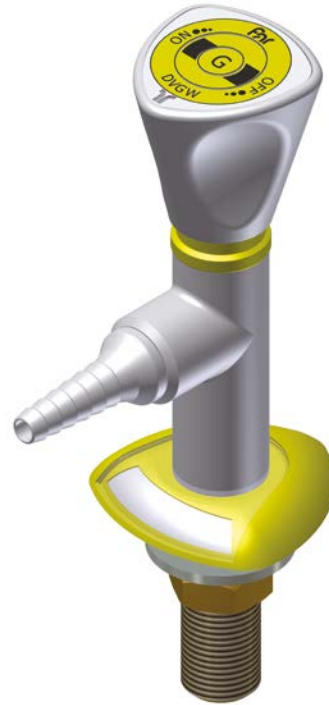
DIN12898

DIN12918

ISO228/1

OPTIONS

With chemical nickel
plating 17 microns inside



WARRANTY 2 YEARS

APPLICATION

Bench mounting

DETAILS

Test pressure: 9 Bars/air

Max working pressure: 7 Bars

SURFACE PROTECTION

Epoxy powder coating
RAL 7035

MATERIALS

Brass

Handle in PP

HEADWORK SEALING

CERAMIC and Nitrile

CONNECTION TAP

Male thread G1/2"

STANDARD AND NORMS

EN13792:2000

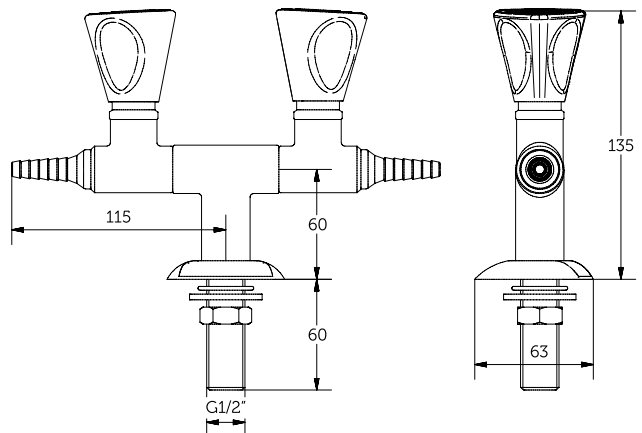
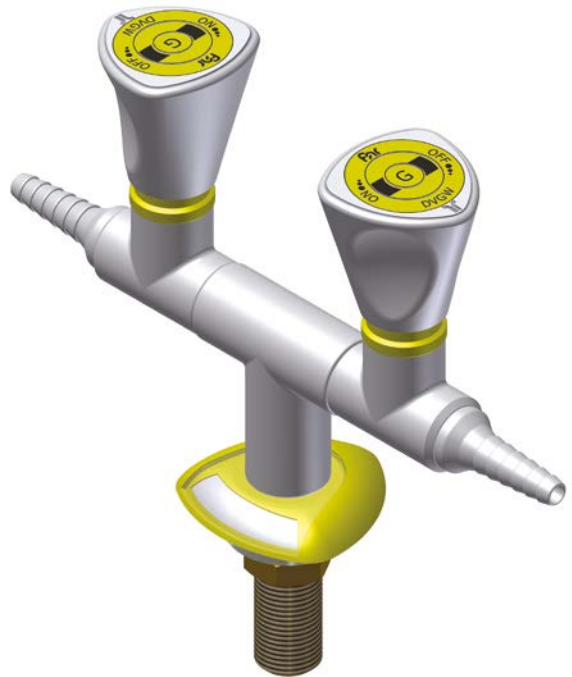
DIN12898

DIN12918

ISO228/1

OPTIONS

With chemical nickel
plating 17 microns inside



WARRANTY 2 YEARS

APPLICATION

Bench mounting

DETAILS

Test pressure: 9 Bars/air

Max working pressure: 7 Bars

SURFACE PROTECTION

Epoxy powder coating
RAL 7035

MATERIALS

Brass

Handle in PP

HEADWORK SEALING

CERAMIC and Nitrile

CONNECTION TAP

Male thread G1/2"

STANDARD AND NORMS

EN13792:2000

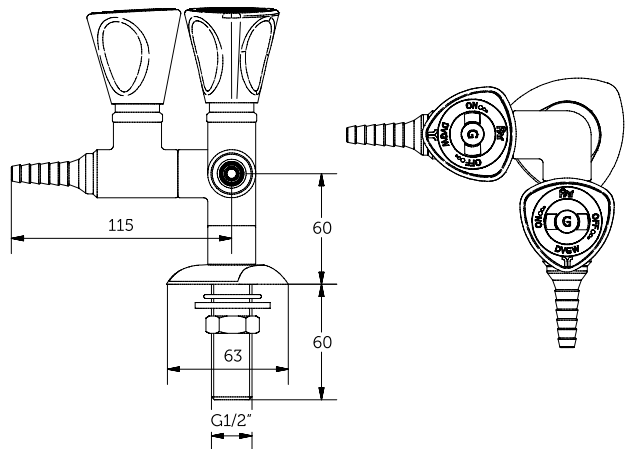
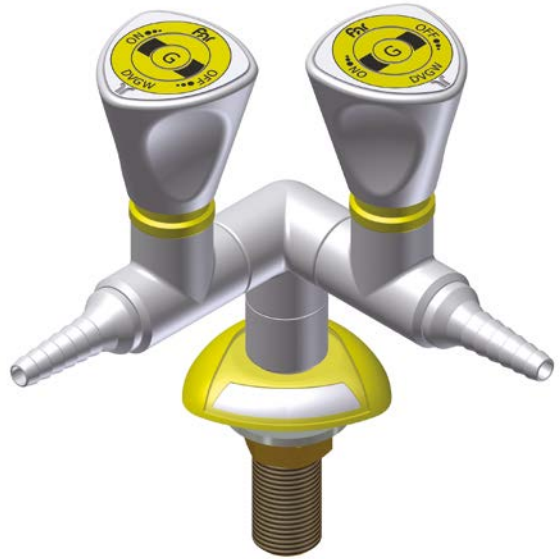
DIN12898

DIN12918

ISO228/1

OPTIONS

With chemical nickel
plating 17 microns inside



WARRANTY 2 YEARS

APPLICATION

Bench mounting

DETAILS

Test pressure: 9 Bars/air

Max working pressure: 7 Bars

SURFACE PROTECTION

Epoxy powder coating
RAL 7035

MATERIALS

Brass

Handle in PP

HEADWORK SEALING

CERAMIC and Nitrile

CONNECTION TAP

Male thread G1/2"

STANDARD AND NORMS

EN13792:2000

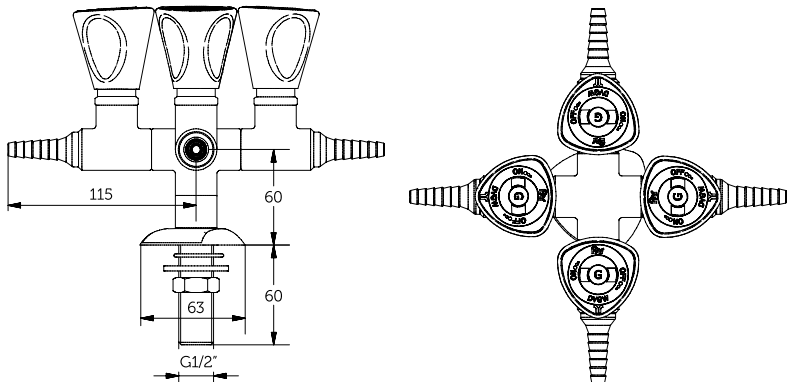
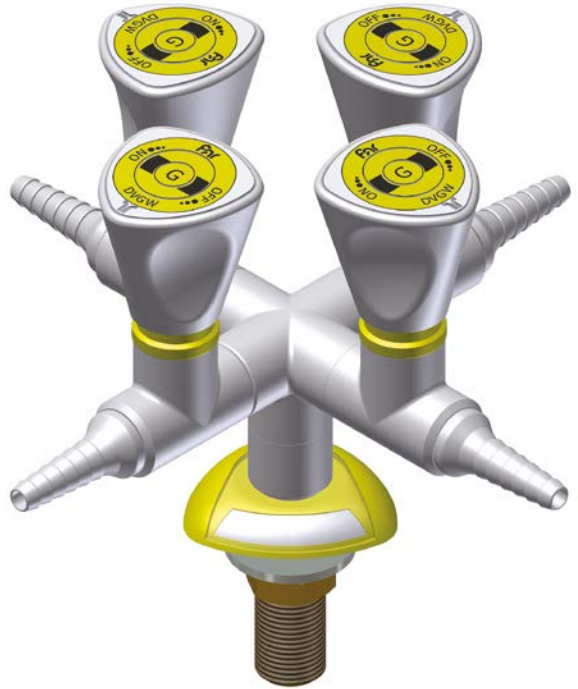
DIN12898

DIN12918

ISO228/1

OPTIONS

With chemical nickel
plating 17 microns inside



WARRANTY 2 YEARS

APPLICATION

Wall mounting - Vertical mounting

DETAILS

Test pressure: 9 Bars/air

Max working pressure: 7 Bars

SURFACE PROTECTION

Epoxy powder coating
RAL 7035

MATERIALS

Brass

Handle in PP

HEADWORK SEALING

CERAMIC and Nitrile

CONNECTION TAP

Male thread G1/2"

STANDARD AND NORMS

EN13792:2000

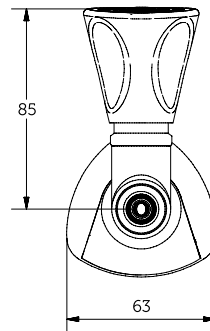
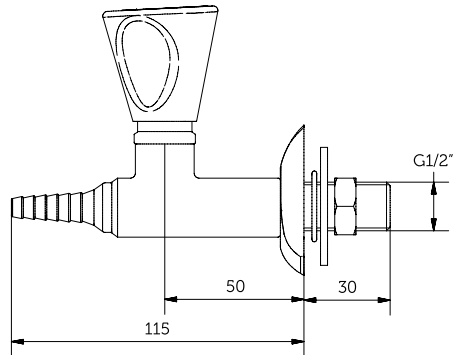
DIN12898

DIN12918

ISO228/1

OPTIONS

With chemical nickel plating 17 microns inside



WARRANTY 2 YEARS

APPLICATION

Wall mounting - Vertical mounting

DETAILS

Test pressure: 9 Bars/air

Max working pressure: 7 Bars

SURFACE PROTECTION

Epoxy powder coating
RAL 7035

MATERIALS

Brass

Handle in PP

HEADWORK SEALING

CERAMIC and Nitrile

CONNECTION TAP

Male thread G1/2"

STANDARD AND NORMS

EN13792:2000

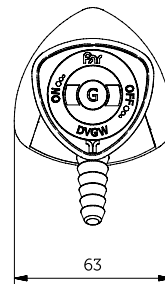
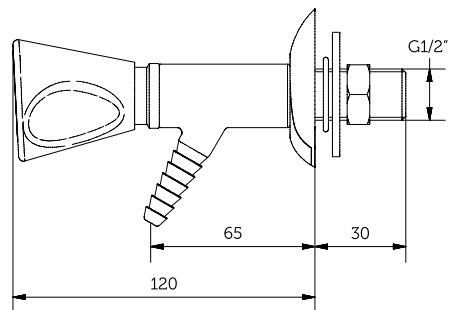
DIN12898

DIN12918

ISO228/1

OPTIONS

With chemical nickel plating 17 microns inside



APPLICATION

Wall mounting - Vertical mounting

DETAILS

Test pressure: 9 Bars/air
Max working pressure: 7 Bars

SURFACE PROTECTION

Epoxy powder coating
RAL 7035

MATERIALS

Brass
Handle in PP

HEADWORK SEALING

CERAMIC and Nitrile

CONNECTION TAP

Male thread G1/2"

STANDARD AND NORMS

EN13792:2000

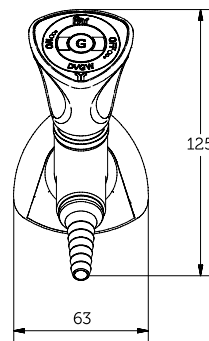
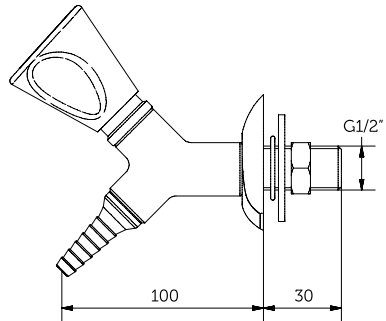
DIN12898

DIN12918

ISO228/1

OPTIONS

With chemical nickel plating 17 microns inside



WARRANTY 2 YEARS

APPLICATION

Wall mounting - Vertical mounting

DETAILS

Test pressure: 9 Bars/air

Max working pressure: 7 Bars

SURFACE PROTECTION

Epoxy powder coating
RAL 7035

MATERIALS

Brass

Handle in PP

HEADWORK SEALING

CERAMIC and Nitrile

CONNECTION TAP

Male thread G1/2"

STANDARD AND NORMS

EN13792:2000

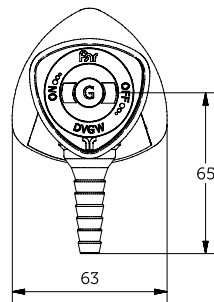
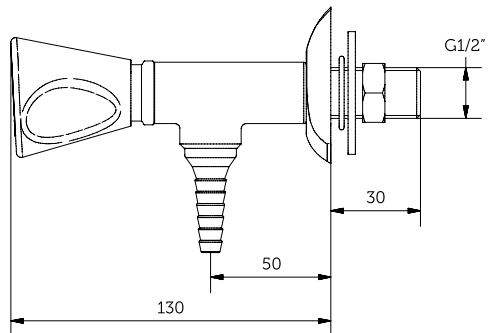
DIN12898

DIN12918

ISO228/1

OPTIONS

With chemical nickel plating 17 microns inside



APPLICATION

Wall mounting - Vertical mounting

DETAILS

Test pressure: 9 Bars/air

Max working pressure: 7 Bars

SURFACE PROTECTION

Epoxy powder coating
RAL 7035

MATERIALS

Brass

Handle in PP

HEADWORK SEALING

CERAMIC and Nitrile

CONNECTION TAP

Male thread G1/2"

STANDARD AND NORMS

EN13792:2000

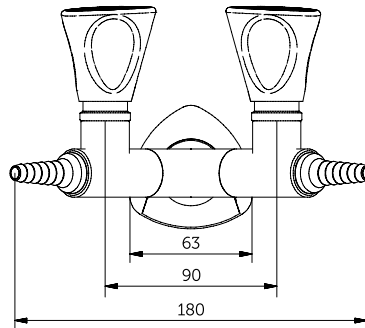
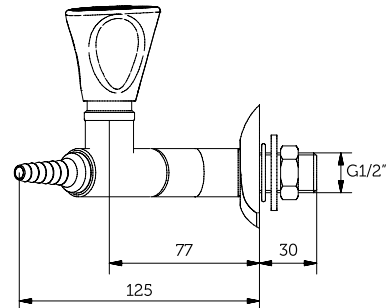
DIN12898

DIN12918

ISO228/1

OPTIONS

With chemical nickel plating 17 microns inside



WARRANTY 2 YEARS

APPLICATION

Wall mounting - Vertical mounting

DETAILS

Test pressure: 9 Bars/air
Max working pressure: 7 Bars

SURFACE PROTECTION

Epoxy powder coating
RAL 7035

MATERIALS

Brass
Handle in PP

HEADWORK SEALING

CERAMIC and Nitrile

CONNECTION TAP

Male thread G1/2"

STANDARD AND NORMS

EN13792:2000

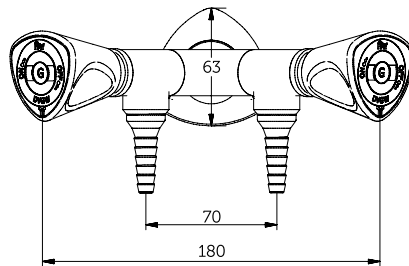
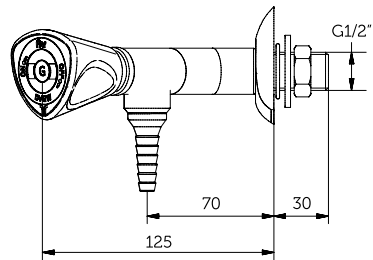
DIN12898

DIN12918

ISO228/1

OPTIONS

With chemical nickel plating 17 microns inside



WARRANTY 2 YEARS

APPLICATION

Vertical mounting

DETAILS

Test pressure: 9 Bars/air

Max working pressure: 7 Bars

SURFACE PROTECTION

Epoxy powder coating
RAL 7035

MATERIALS

Brass

Handle in PP

HEADWORK SEALING

CERAMIC and Nitrile

CONNECTION TAP

Male thread G1/2"

STANDARD AND NORMS

EN13792:2000

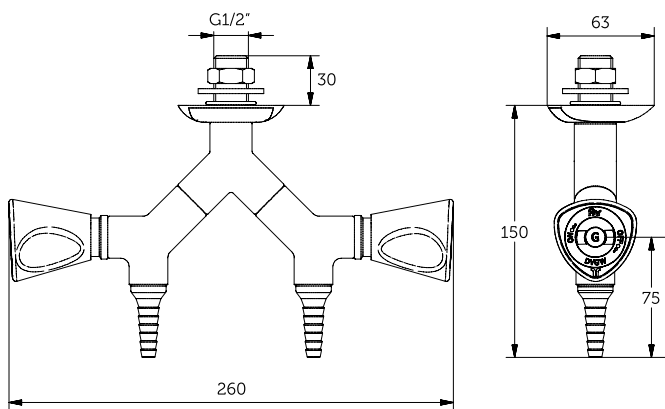
DIN12898

DIN12918

ISO228/1

OPTIONS

With chemical nickel
plating 17 microns inside



WARRANTY 2 YEARS

APPLICATION

Wall mounting
Fume cupboard

DETAILS

Test pressure: 9 Bars/air
Max working pressure: 7 Bars

SURFACE PROTECTION

Epoxy powder coating
RAL 7035

MATERIALS

Brass
Handle in PP

HEADWORK SEALING

CERAMIC and Nitrile

CONNECTION TAP

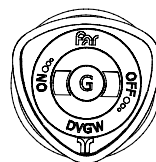
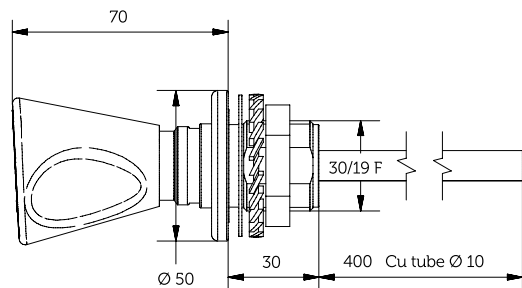
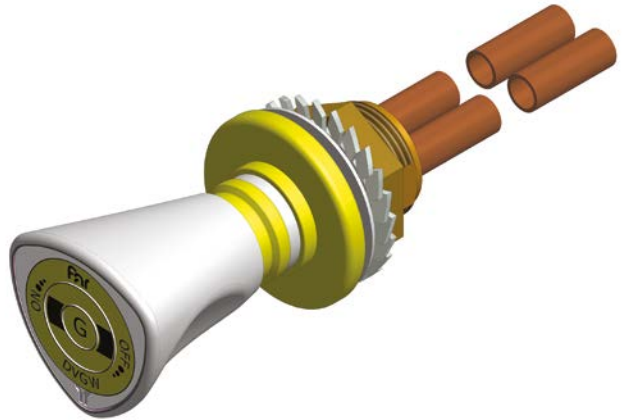
Copper Tubes Ø10

STANDARD AND NORMS

EN13792:2000
DIN12898
DIN12918
ISO228/1

OPTIONS

With chemical nickel
plating 17 microns inside



APPLICATION

Wall mounting
Fume cupboard

SURFACE PROTECTION

Epoxy powder coating
RAL 7035

MATERIALS

Brass

CONNECTION TAP

Male thread G3/8"

STANDARD AND NORMS

EN13792:2000

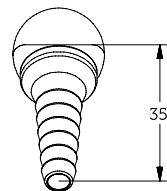
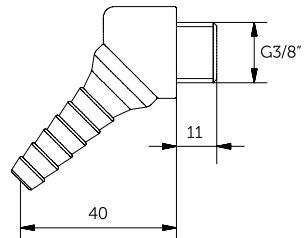
DIN12898

DIN12918

ISO228/1

OPTIONS

With chemical nickel
plating 17 microns inside



WARRANTY 2 YEARS

APPLICATION

Wall mounting
Fume cupboard

SURFACE PROTECTION

Epoxy powder coating
RAL 7035

MATERIALS

Brass

CONNECTION TAP

Male thread G3/8"

STANDARD AND NORMS

EN13792:2000

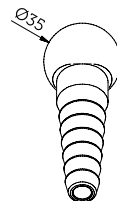
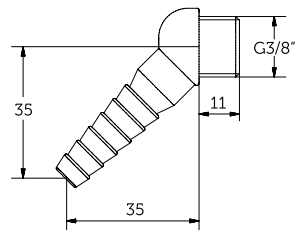
DIN12898

DIN12918

ISO228/1

OPTIONS

With chemical nickel
plating 17 microns inside



APPLICATION

Wall mounting
Fume cupboard

SURFACE PROTECTION

Epoxy powder coating
RAL 7035

MATERIALS

Brass

CONNECTION TAP

Male thread G1/2"

STANDARD AND NORMS

EN13792:2000

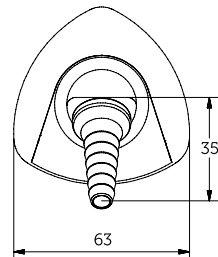
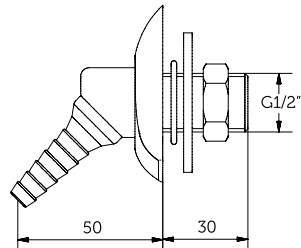
DIN12898

DIN12918

ISO228/1

OPTIONS

With chemical nickel
plating 17 microns inside



WARRANTY 2 YEARS

APPLICATION

Wall mounting

SURFACE PROTECTION

Epoxy powder coating
RAL 7035

MATERIALS

Brass

CONNECTION TAP

Male thread G3/8"

STANDARD AND NORMS

EN13792:2000

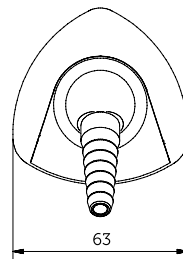
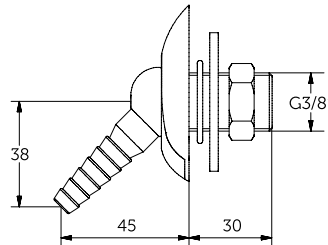
DIN12898

DIN12918

ISO228/1

OPTIONS

With chemical nickel
plating 17 microns inside



WARRANTY 2 YEARS

APPLICATION

Bench - Wall mounting
Fume cupboard

SURFACE PROTECTION

Epoxy powder coating
RAL 7035

MATERIALS

Brass

CONNECTION TAP

Male thread G1/2"

STANDARD AND NORMS

EN13792:2000

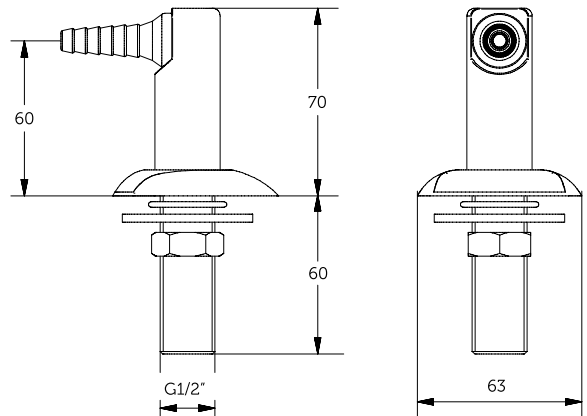
DIN12898

DIN12918

ISO228/1

OPTIONS

With chemical nickel
plating 17 microns inside



WARRANTY 2 YEARS

