

EMERGENCY EYE AND BODY SHOWER

31500

FLOOR FIXED EMERGENCY SHOWER WITH ABS SHOWER HEAD AND EYE-WASH BOWL. OPEN AND CLOSE SYSTEM HAND AND FOOT OPERATED

APPLICATION:

- Floor fixed

DETAILS:

- Test pressure: 9 Bars/air
- Max working pressure: 5 Bars
- Flow rate: 30 L/min at 1 Bar

SURFACE PROTECTION:

- Epoxy painted

MATERIALS:

- Brass
- ABS
- Stainless steel

HEADWORK SEALING:

- PTFE temperature working range: 0-70°

CONNECTION TAP:

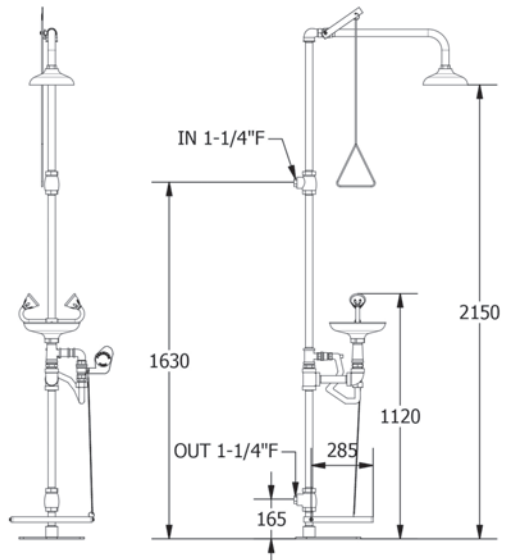
- G1" female

STANDARD AND NORMS:

- DIN12899
- DIN12918
- ISO228/1
- EN15154

WEIGHT:

- 21150 gr



WARRANTY 2 YEARS