

EMERGENCY EYE AND BODY SHOWER

32301-45

45° DOUBLE NOZZLE BENCH SPRAY UNIT VERTICAL EXTRACTING

APPLICATION:

- Bench mounting

DETAILS:

- Test pressure: 9 Bars/air
- Max working pressure: 5 Bars
- Flow rate: 15 L/min at 1 Bar

SURFACE PROTECTION:

- Chemical nickel plating

MATERIALS:

- Brass
- ABS
- EPDM
- Stainless steel

HEADWORK SEALING:

- EPDM temperature working range: 0-70°

CONNECTION TAP:

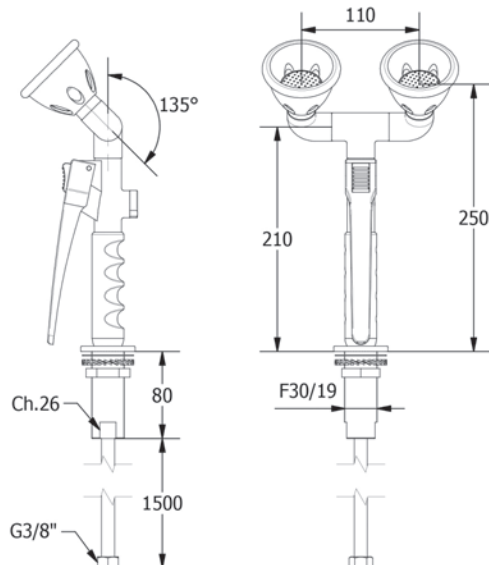
- Swivelling cup G3/8" female

STANDARD AND NORMS:

- DIN12899
- DIN12918
- ISO228/1
- EN15154

WEIGHT:

- 1670 gr



WARRANTY 2 YEARS