

# EMERGENCY EYE AND BODY SHOWER

# 31700

EMERGENCY EYE-WASH UNIT WITH WALL BRACKET AND ABS BOWL

## APPLICATION:

- Wall fixed

## DETAILS:

- Test pressure: 9 Bars/air
- Max working pressure: 5 Bars
- Flow rate: 30 L/min at 1 Bar

## SURFACE PROTECTION:

- Epoxy painted

## MATERIALS:

- Brass
- ABS
- Stainless steel

## HEADWORK SEALING:

- PTFE temperature working range: 0-70°

## CONNECTION TAP:

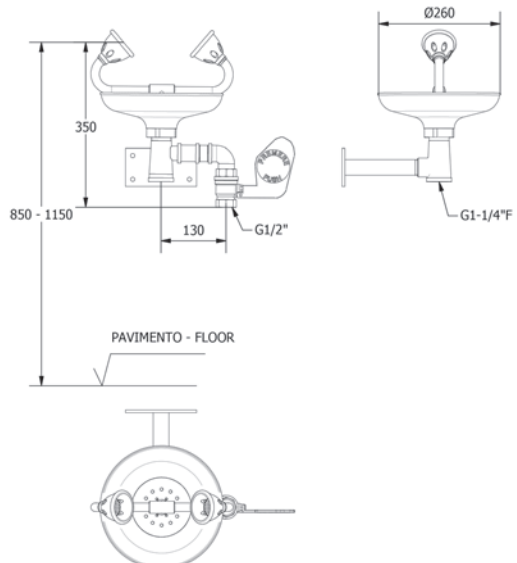
- Line G1/2" draining G1-1/4" female

## STANDARD AND NORMS:

- DIN12899
- DIN12918
- ISO228/1
- EN15154

## WEIGHT:

- 3290 gr



WARRANTY 2 YEARS