

**APPLICATION**

Floor mounting

**DETAILS**

Test pressure: 9 Bars/air  
 Max working pressure: 10 Bars  
 Flow rate limited to 50 L/min

**SURFACE PROTECTION**

Epoxy painted/Nichel plating

**MATERIALS**

Brass  
 ABS  
 Stainless steel

**HEADWORK SEALING**

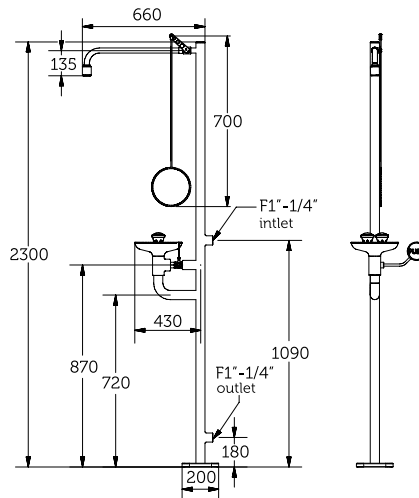
PTFE temperature working range: 0-70°

**CONNECTION TAP**

G1"-1/4" female

**STANDARD AND NORMS**

DIN 4844-2-D and BGV A8 sign for body shower  
 DIN EN 15154-1:2006  
 DIN EN 15154-2:2006  
 DIN 12899-3:2009  
 DIN 67510  
 ANSI Z358.1-2004



WARRANTY 2 YEARS